

02

VALVOLE A GOMITO

ELBOW VALVES

ART. **89N-F** NICHELATA NICKEL PLATED

Coppia di valvole a gomito (90°) DN20, PN40 con raccordo girevole G1" integrato a tenuta O-ring per G1" femmina battuta piana ed attacchi termometro destra e sinistra. 1 x farfalla rossa + 1 x farfalla blu.

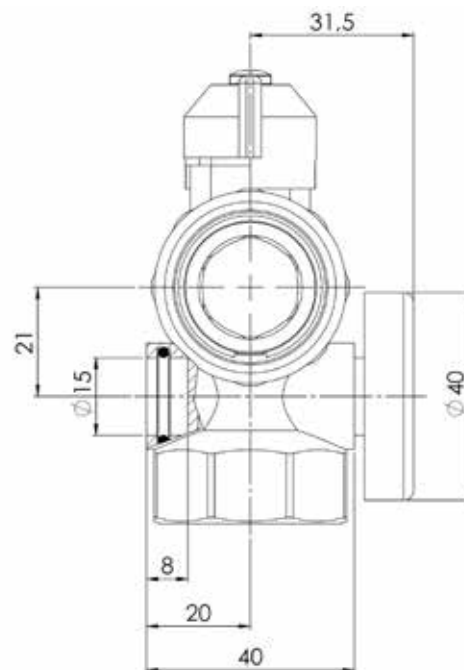
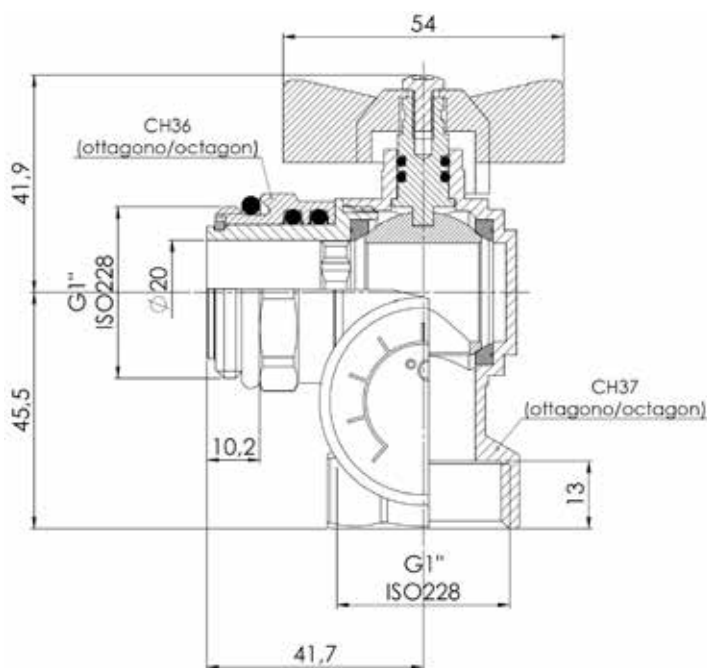
Couple of elbow ball valves G1" female with flat beat by swivel male with seal O-ring. Valve has connections left and right for thermometer. Nominal diameter DN20 and nominal pressure PN40. Ball valves are provide in set of two: 1 with red T-handle and 1 with blue T-handle.



TERMOMETRO OPZIONALE, ART. 04
OPTIONAL THERMOMETER, ART. 04



Coppie/scatola
Couples/box 20



89NFB VALVOLA SINGOLA, FARFALLA BLU
SINGLE VALVE, BLUE T-HANDLE

89NFR VALVOLA SINGOLA, FARFALLA ROSSA
SINGLE VALVE, RED T-HANDLE

89NL COPPIA VALVOLE, LEVA BLU E ROSSA
COUPLE OF VALVES, RED AND BLUE LEVER

89NLB VALVOLA SINGOLA, LEVA BLU
SINGLE VALVE, BLUE LEVER

89NLR VALVOLA SINGOLA, LEVA ROSSA
SINGLE VALVE, RED LEVER



COPPIA DI VALVOLE
COUPLE OF VALVES



APPLICATO A COLLETTORI
FOR MANIFOLDS



ACQUA POTABILE
DRINKING WATER



BREVETTO
PATENT





ANTI LEGIONELLA
ANTI LEGIONELLA

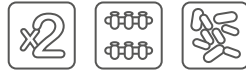
ART. 88NF NICHELATA NICKEL PLATED



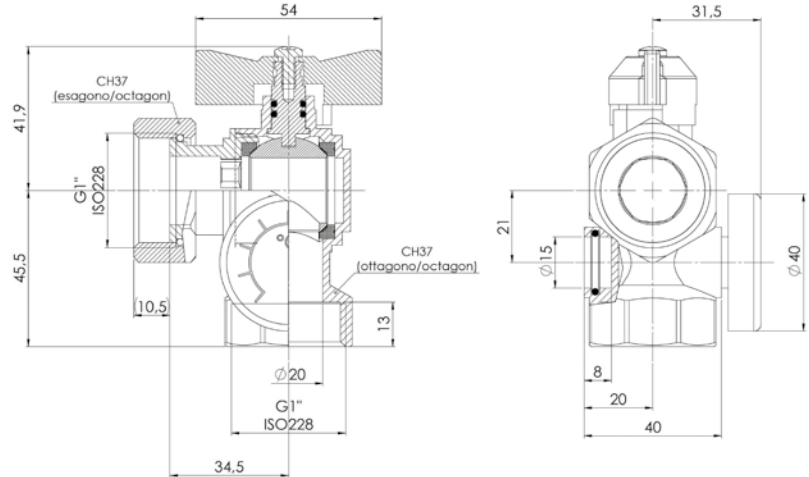
TERMOMETRO OPZIONALE, ART. 04
OPTIONAL THERMOMETER, ART. 04

 Coppia di valvole a gomito 90° DN20, PN40 con dado girevole G1" battuta piana per G1" femmina battuta piana. È opzionale il termometro. 1 x farfalla rossa + 1 x farfalla blu.

 Couple of elbow ball valves G1" swivel nut with flat beat by female with flat beat. Nominal diameter DN20 and nominal pressure PN40. Ball valves are provide in set of two: 1 with red T-handle and 1 with blue T-handle. Optional thermometer.



 Coppie/scatola
Couples/box **20**



88NFB VALVOLA SINGOLA,
FARFALLA BLU
SINGLE VALVE,
BLUE T-HANDLE

88NFR VALVOLA SINGOLA,
FARFALLA ROSSA
SINGLE VALVE,
RED T-HANDLE

88NL COPPIA VALVOLE,
LEVA BLU E ROSSA
COUPLE OF VALVES, RED
AND BLUE LEVER


88NLB VALVOLA SINGOLA,
LEVA BLU
SINGLE VALVE,
BLUE LEVER


88NLR VALVOLA SINGOLA,
LEVA ROSSA
SINGLE VALVE,
RED LEVER



TERMOMETRO OPZIONALE, ART. 04
OPTIONAL THERMOMETER, ART. 04

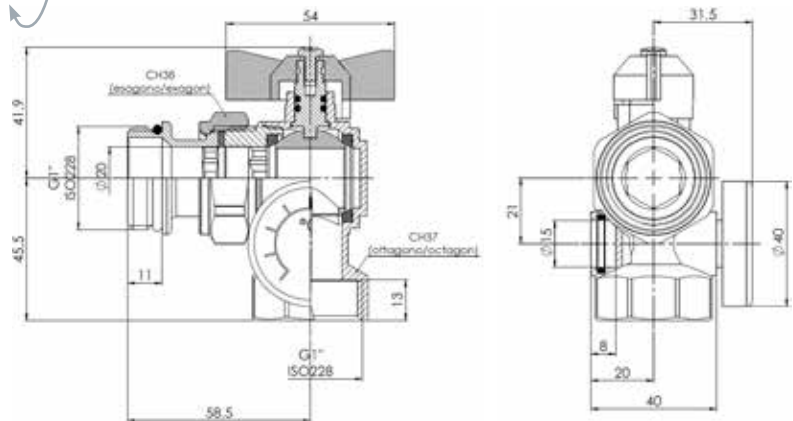
ART. 87NF NICHELATA NICKEL PLATED

 Coppia di valvole a gomito (90°) con attacco G1" maschio battuta piana tenuta O-ring per G1" femmina battuta piana. 1 x farfalla rossa + 1 x farfalla blu. blu o rossa.

 Couple of elbow ball valves G1" male pipe union with flat beat and seal O-ring by female with flat beat. Ball valves are provide in set of two: 1 with red T-handle and 1 with blue T-handle. Optional thermometer.



 Coppie/scatola
Couples/box **20**



87NFB VALVOLA SINGOLA,
FARFALLA BLU
SINGLE VALVE,
BLUE T-HANDLE

87NFR VALVOLA SINGOLA,
FARFALLA ROSSA
SINGLE VALVE,
RED T-HANDLE

87NL COPPIA VALVOLE,
LEVA BLU E ROSSA
COUPLE OF VALVES, RED
AND BLUE LEVER

87NLB VALVOLA SINGOLA,
LEVA BLU
SINGLE VALVE,
BLUE LEVER

87NLR VALVOLA SINGOLA,
LEVA ROSSA
SINGLE VALVE,
RED LEVER



TERMOMETRO OPZIONALE, ART. 04
OPTIONAL THERMOMETER, ART. 04

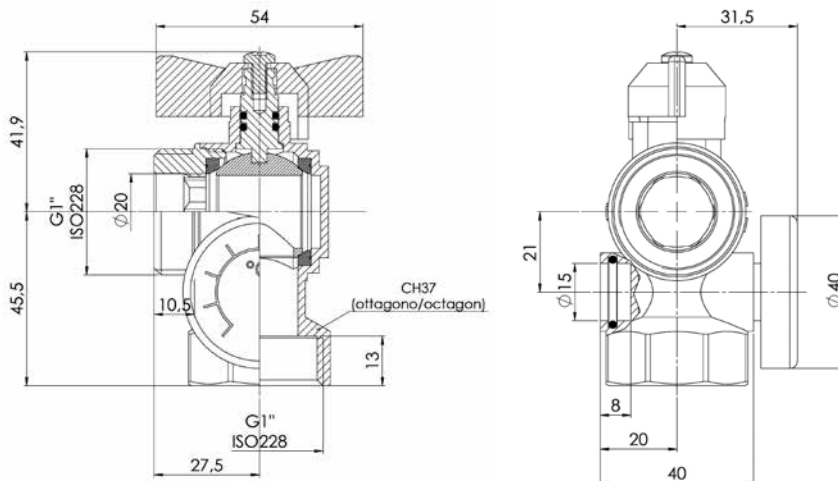
ART. 49NF NICHELATA NICKEL PLATED

Coppia di valvole a gomito G1" femmina x G1" maschio battuta piana. Termometro opzionale con farfalla blu e rossa.

Elbow valve g1" female x g1" male with flat seal. Optional thermometer: blue and red butterfly.



Coppie/scatola
Couples/box 20



49NFB VALVOLA SINGOLA, FARFALLA BLU
SINGLE VALVE, BLUE T-HANDLE

49NFR VALVOLA SINGOLA, FARFALLA ROSSA
SINGLE VALVE, RED T-HANDLE

49NL COPPIA VALVOLE, LEVA BLU E ROSSA
COUPLE OF VALVES, RED AND BLUE LEVER

49NLB VALVOLA SINGOLA, LEVA BLU
SINGLE VALVE, BLUE LEVER

49NLR VALVOLA SINGOLA, LEVA ROSSA
SINGLE VALVE, RED LEVER



TERMOMETRO OPZIONALE, ART. 04
OPTIONAL THERMOMETER, ART. 04

ART. 90NL NICHELATA NICKEL PLATED

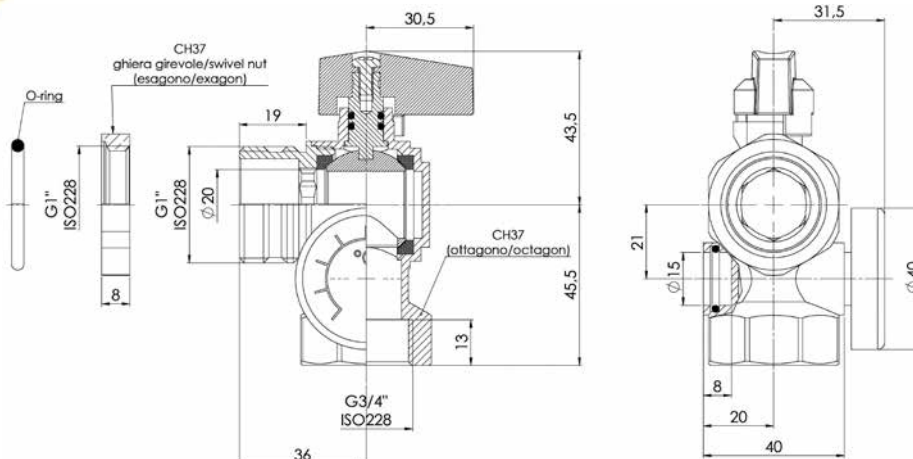
ART. 90L GIALLA YELLOW

Coppia di valvole a gomito G1" femmina entrata per G1" maschio tenuta o-ring con ghiera di posizionamento valvola. 1 x levetta blu + 1 x levetta rossa.

Couple of elbow ball valves G1" female by male with ring nut of position and seal O-ring. Ball valves are provide in set of two: 1 with red lever and 1 with blue lever.



Coppie/scatola
Couples/box 20



90NFB VALVOLA SINGOLA, FARFALLA BLU
SINGLE VALVE, BLUE T-HANDLE

90NFR VALVOLA SINGOLA, FARFALLA ROSSA
SINGLE VALVE, RED T-HANDLE

90NL COPPIA VALVOLE, LEVA BLU E ROSSA
COUPLE OF VALVES, RED AND BLUE LEVER

90LB VALVOLA SINGOLA, LEVA BLU
SINGLE VALVE, BLUE LEVER



90LRL VALVOLA SINGOLA, LEVA ROSSA
SINGLE VALVE, RED LEVER

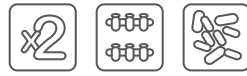


ART. 91NF NICHELATA NICKEL PLATED

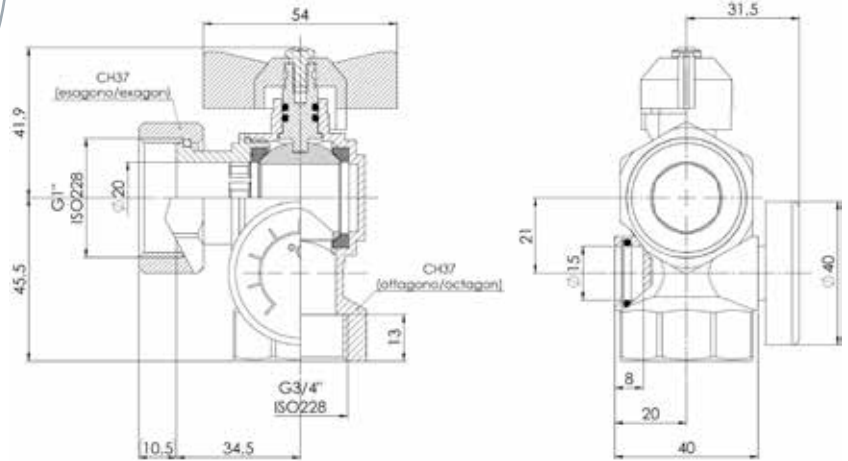


TERMOMETRO OPZIONALE, ART. 04
OPTIONAL THERMOMETER, ART. 04

-  Coppia di valvole a gomito DN20, PN40 con attacchi: G1" dado girevole per G3/4" femmina battuta piana. Opzione termometro.
-  Elbow valve DN20 PN 40 with attachments: G1" male swivel connector O-ring seal x G3/4" female flat seal. Optional thermometer.



 Coppie/scatola
Couples/box **20**



91NFB VALVOLA SINGOLA,
FARFALLA BLU
SINGLE VALVE,
BLUE T-HANDLE

91NFR VALVOLA SINGOLA,
FARFALLA ROSSA
SINGLE VALVE,
RED T-HANDLE



91NL COPPIA VALVOLE,
LEVA BLU E ROSSA
COUPLE OF VALVES, RED
AND BLUE LEVER

91NLB VALVOLA SINGOLA,
LEVA BLU
SINGLE VALVE,
BLUE LEVER

91NLR VALVOLA SINGOLA,
LEVA ROSSA
SINGLE VALVE,
RED LEVER

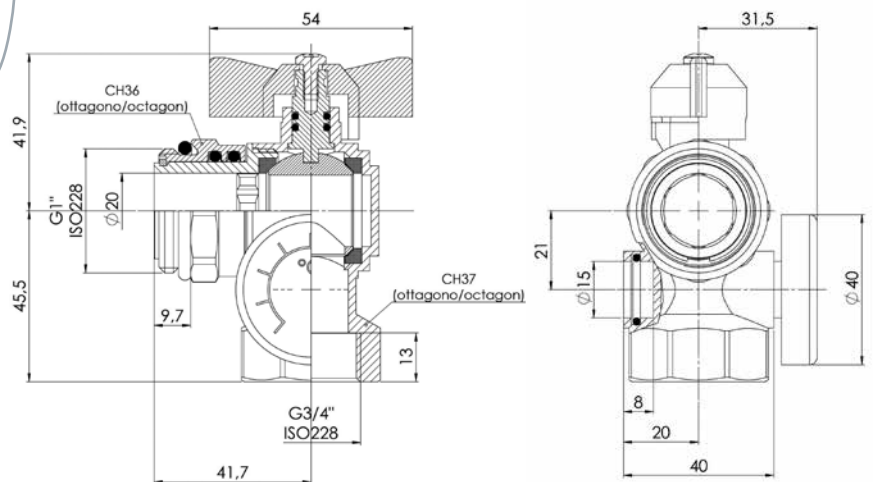


ART. 92NF NICHELATA NICKEL PLATED

-  Coppia di valvole a gomito G3/4" femmina lato d'entrata x G1" maschio raccordo girevole tenuta O-ring. DN20, PN40
-  Elbow valve, G3/4" female on the inlet side x G1" male swivel connector with O-ring seal. DN20 PN 40.



 Coppie/scatola
Couples/box **20**



92NFB VALVOLA SINGOLA,
FARFALLA BLU
SINGLE VALVE,
BLUE T-HANDLE

92NFR VALVOLA SINGOLA,
FARFALLA ROSSA
SINGLE VALVE,
RED T-HANDLE

92NL COPPIA VALVOLE,
LEVA BLU E ROSSA
COUPLE OF VALVES, RED
AND BLUE LEVER

92NLB VALVOLA SINGOLA,
LEVA BLU
SINGLE VALVE,
BLUE LEVER

92NLR VALVOLA SINGOLA,
LEVA ROSSA
SINGLE VALVE,
RED LEVER



TERMOMETRO OPZIONALE, ART. 04
OPTIONAL THERMOMETER, ART. 04

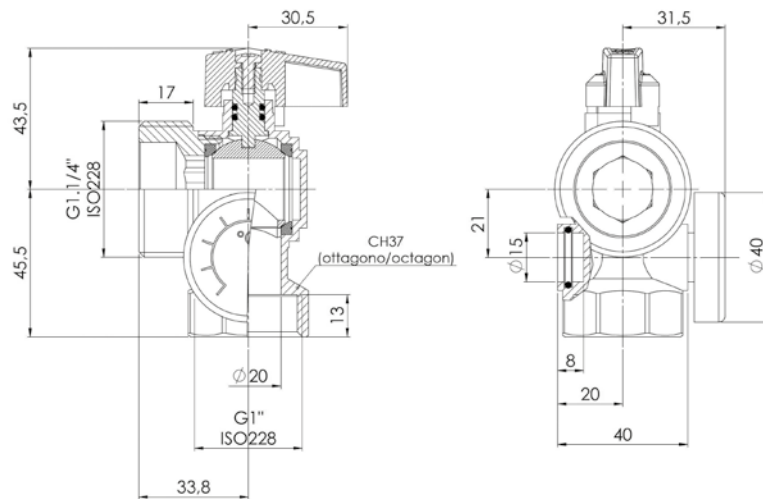
ART. 198LN NICHELATA NICKEL PLATED

Coppia di valvole a gomito DN20, PN20 con attacchi G1" femmina x G1.1/4" attacco maschio con tenuta O-ring o battuta piana. 1 x levetta rossa + 1 x levetta blu.

Couple of elbow ball valves G1" female by G1.1/4" male with flat beat or seal O-ring. Nominal diameter DN20 and nominal pressure PN20. Ball valves are provide in set of two: 1 with red lever and 1 with blue lever.



Coppie/scatola
Couples/box 20



198NLB VALVOLA SINGOLA,
LEVA BLU
SINGLE VALVE,
BLUE LEVER



198NLR VALVOLA SINGOLA,
LEVA ROSSA
SINGLE VALVE,
RED LEVER



MACCHINA PER IL COLLAUDO VALVOLE
TESTING MACHINE
OF VALVES



COPPIA DI VALVOLE
COUPLE OF VALVES



APPLICATO A COLLETTORI
FOR MANIFOLDS



ACQUA POTABILE
DRINKING WATER



BREVETTO
PATENT





ANTI LEGIONELLA
ANTI LEGIONELLA

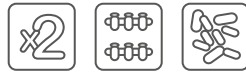


TERMOMETRO OPZIONALE, ART. 04
OPTIONAL THERMOMETER, ART. 04

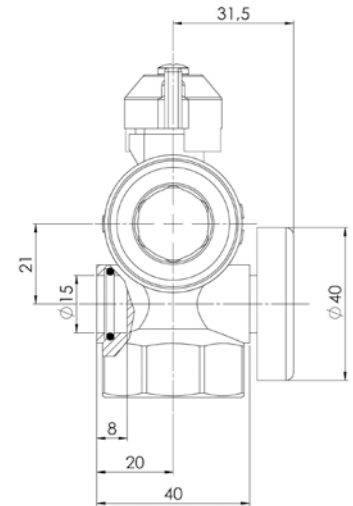
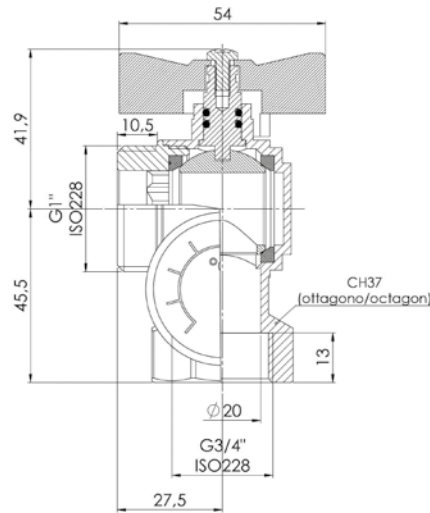
ART. 49-39NF NICHELATA NICKEL PLATED

 Coppia di valvole a gomito DN20, PN20 con attacchi G3/4" femmina x G1" maschio battuta piana. Dispone di farfalla 1x rossa e 1x blu.

 Couple of elbow ball valves G3/4" female by G1" male with flat beat. Nominal diameter DN20 and nominal pressure PN20. Ball valves are provide in set of two: 1 with red T-handle and 1 with blue T-handle.



 Coppie/scatola
Couples/box **20**



49-39N-FB VALVOLA SINGOLA,
FARFALLA BLU
SINGLE VALVE,
BLUE T-HANDLE



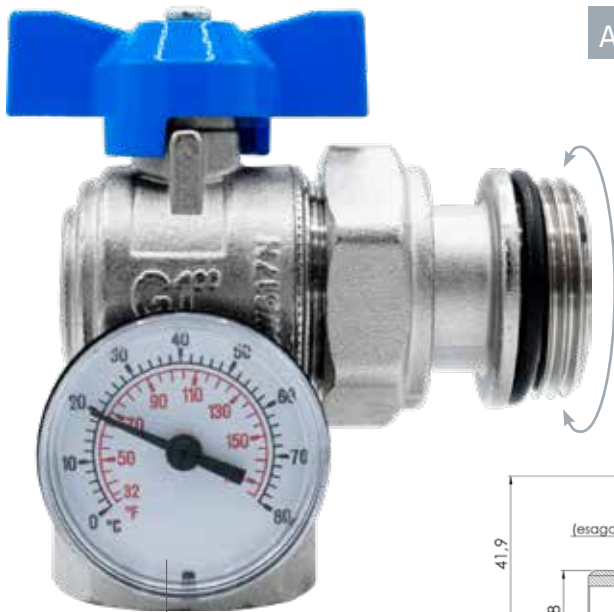
49-39N-FR VALVOLA SINGOLA,
FARFALLA ROSSA
SINGLE VALVE,
RED T-HANDLE



49-39N-B VALVOLA SINGOLA,
LEVA BLU
SINGLE VALVE,
BLUE LEVER





49-39N-R VALVOLA SINGOLA,
LEVA ROSSA
SINGLE VALVE,
RED LEVER




TERMOMETRO OPZIONALE, ART. 04
OPTIONAL THERMOMETER, ART. 04

ART. 49-39.12N NICHELATA NICKEL PLATED

 Coppia di valvole nichelate DN20, PN20 con attacchi G3/4" femmina per G1" maschio con bocchettone a tenuta O-ring.

 Couple of nickel plated elbow ball valves G3/4" female by G1" male pipe union with seal O-ring. Nominal diameter DN20 and nominal pressure PN20.



 Coppie/scatola
Couples/box **20**

